

# VERTECH INT'L INC

420 Station Road  
Quakertown, PA 18951

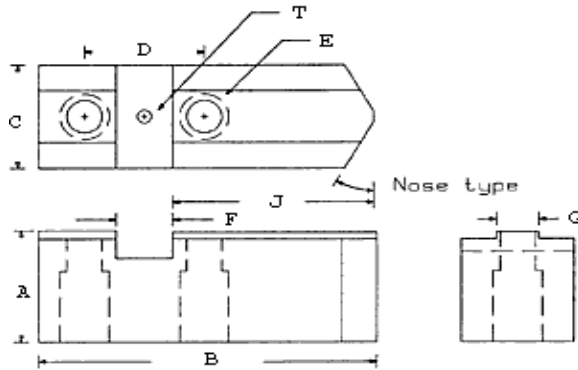
Phone: 215-529-0300

Fax: 215-529-0469

## ACME SERRATED KEY TYPE

For Kitagawa, Howa, Suga, Nikko, Matsumoto & other Chucks

Available in 1018 CRS



### Critical Dimensions

Tap Hole T	Dist. To Key J	Critical Dimensions							STEEL
		Groove Width G	Key Width F	Bolt Size	Center to Center D	Width Inch C	Length Inch B	Height Inch A	Vertech Part Number
5/16-18	2.250	0.670	0.601	1/2	1.750	1.750	4.250	2.500	AC 10250
3/8-16	3.000	1.000	1.531	3/4	2.500	2.000	6.250	2.500	AC 15250
3/8-16	3.400	1.000	1.531	3/4	2.500	2.500	6.250	2.500	AC 18250
3/8-16	3.400	1.000	1.531	3/4	2.500	2.500	6.250	4.000	AC 18400

NOTE: When specifying "Pointed" Jaws, replace the "F" in the part number with "P"

Vertech International Inc.

Order Toll Free: 1-877-967-5465

Fax: 215-529-0469

E-Mail: [sales@877workhold.com](mailto:sales@877workhold.com)